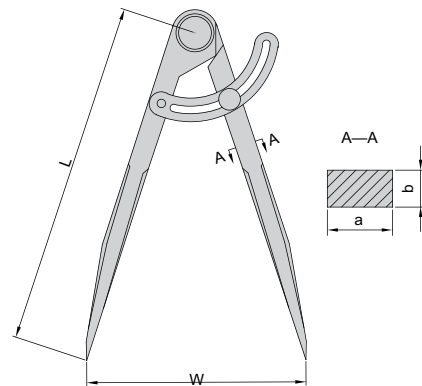


# DIVIDER



7247-150



- Made of carbon steel
- Hardened points

(mm)

Code	Size (L)	Range (W)	a	b
7247-150	150mm	0 - 140mm	8.5	7
7247-200	200mm	0 - 190mm	10	7
7247-300	300mm	0 - 290mm	12	7

