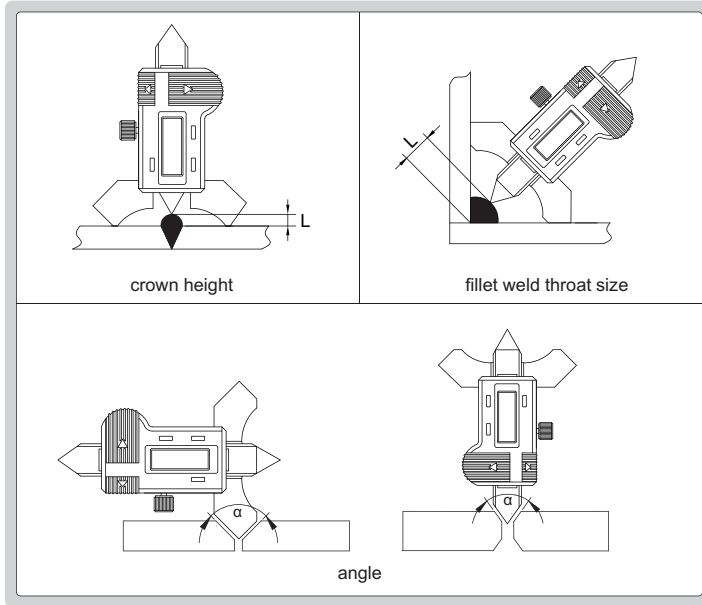
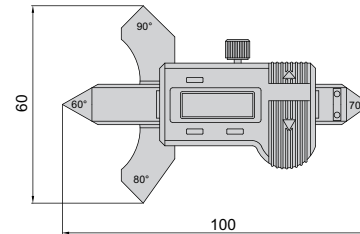


DIGITAL WELDING GAGE



4831-20

Unit: mm



Code	Measurement	Range	Resolution	Accuracy
4831-20	crown height	0 - 7mm	0.01mm/0.0005"	±0.03mm
	fillet weld throat size	0 - 20mm	0.01mm/0.0005"	±0.1mm
	angle	60°, 70°, 80°, 90°	—	±1°

- Buttons: zero, mm/inch, on/off
- Battery SR44 or LR44
- Made of stainless steel