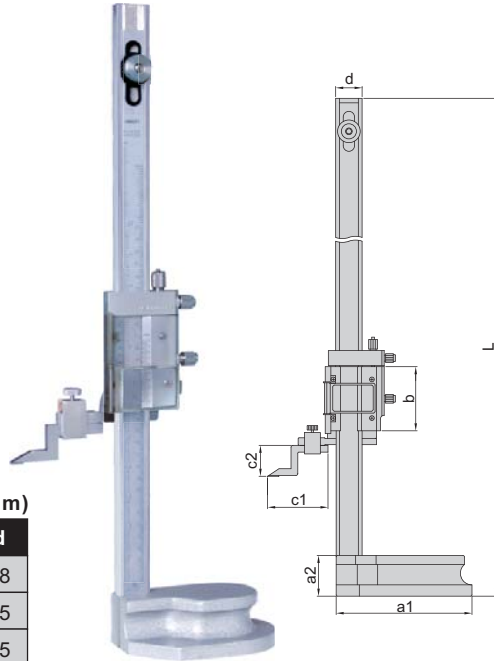
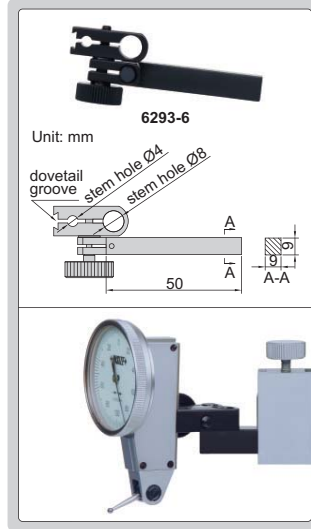


VERNIER HEIGHT GAGE

dial test indicator holder (optional)

- Graduation: 0.02mm/0.001"
- Adjustable main scale to set zero
- Carbide tipped scribe
- Made of stainless steel (except the base)
- Satin chrome plated scale
- Supplied with magnifier
- With fine adjustment
- Optional accessory: dial test indicator holder (code **6293-6**), not suitable for **1250-1000**



1250-300

(mm)

Code	Range	Accuracy	L	a1	a2	b	c1	c2	d
1250-300	0-300mm/0-12"	±0.04mm	545	135	43	75	80	30	28
1250-450	0-450mm/0-18"	±0.05mm	720	180	54	85	80	41	35
1250-600	0-600mm/0-24"	±0.05mm	870	180	54	85	80	41	35
1250-1000	0-1000mm/0-40"	±0.07mm	1310	270	70	85	204	50	40