

DIGITAL HEIGHT GAGE

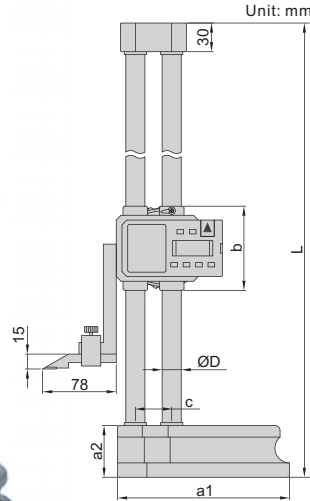


driving wheel

- Resolution: 0.01mm/0.001"
- Buttons: on/off, zero, mm/inch, ABS/INC, preset +, preset -, set
- ABS/INC is for absolute and incremental measurement
- Carbide tipped scribe
- Made of stainless steel (except the base)
- SR44 or LR44 battery
- With driving wheel
- Optional accessory: dial test indicator holder (code 6293-6)



1151-300



(mm)

Code	Range	Accuracy	L	a1	a2	b	c	ØD
1151-300	0-300mm/0-12"	±0.04mm	475	135	43	84	33	15
1151-450	0-450mm/0-18"	±0.05mm	660	180	54	88	38	20
1151-600	0-600mm/0-24"	±0.05mm	810	180	54	88	38	20

dial test indicator holder (optional)

