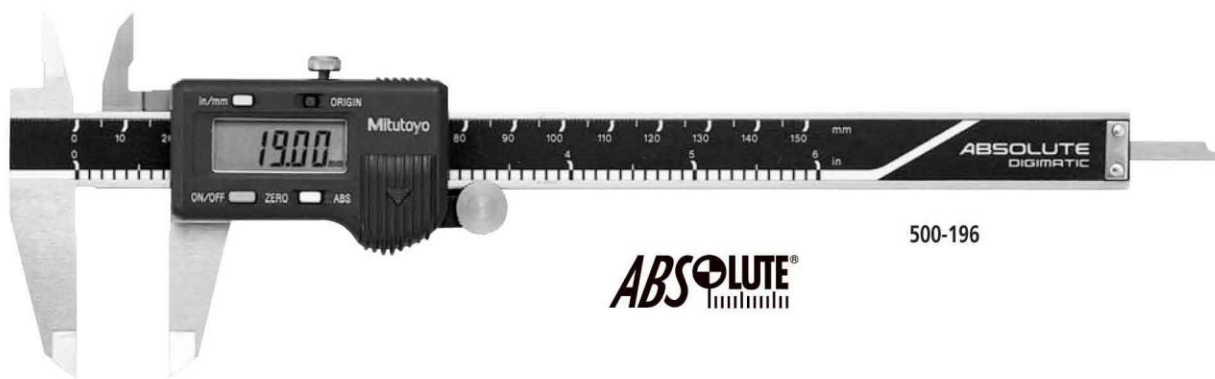


# Absolute Digimatic Caliper

SERIES 500 — with Economical Design



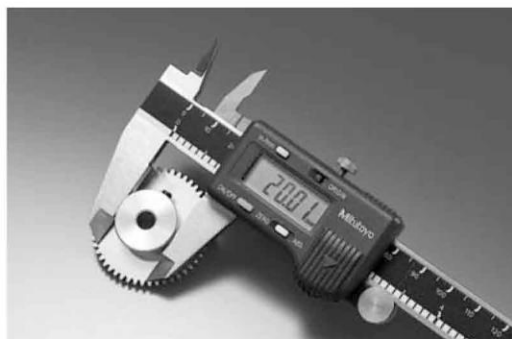
500-196

**ABSOLUTE**  
DIGIMATIC

CALIPERS

## FEATURES

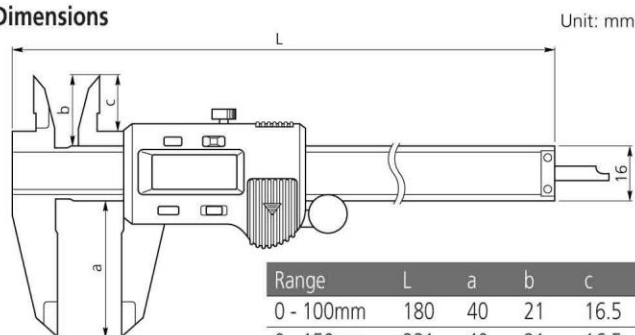
- Large and clear LCD readout.
- Low price due to the design featuring only essential functions.
- ZERO/ABS key: Allows the display to be Zero-Set at any slider position along the scale for incremental comparison measurements. This switch will also allow return to the absolute mode and display of the true position from the origin point.



## Technical Data

**Display:** LCD  
**Functions:** Origin-Set, Zero-Set, power on/off, inch/mm conversion (inch/mm type only)  
**Battery:** SR44 (1 pc.) (938882)  
**Battery life:** Approx. 3.5 years under normal use  
**Maximum response speed:** Unlimited  
**Alarm:** Low voltage, scale contamination, counting value composition error  
**Operating temperature:** 0°C to 40°C

## Dimensions



Range	L	a	b	c
0 - 100mm	180	40	21	16.5
0 - 150mm	231	40	21	16.5
0 - 200mm	288	50	24.5	20

## SPECIFICATIONS

### Metric

Range	Order No.	Resolution	Accuracy	Mass	Remarks
0 - 100mm	<b>500-180</b>	0.01mm	±0.02mm	137g	With depth measuring rod (ø1.9mm)
0 - 150mm	<b>500-181</b>	0.01mm	±0.02mm	162g	With depth measuring bar (blade)
0 - 200mm	<b>500-182</b>	0.01mm	±0.02mm	192g	With depth measuring bar (blade)

Excluding quantizing error

### Inch/Metric

Range	Order No.	Resolution	Accuracy	Mass	Remarks
0 - 4" (0 - 100mm)	<b>500-195</b>	.0005"/0.01mm	±.0010"	.30 lbs.	With depth measuring rod (ø3/40")
0 - 6" (0 - 150mm)	<b>500-196</b>	.0005"/0.01mm	±.0010"	.36 lbs.	With depth measuring bar (blade)
	<b>500-159*</b>	.0005"/0.01mm	±.0010"	.36 lbs.	With depth measuring bar (blade)
	<b>500-160**</b>	.0005"/0.01mm	±.0010"	.36 lbs.	With depth measuring bar (blade)
0 - 8" (0 - 200mm)	<b>500-197</b>	.0005"/0.01mm	±.0010"	.42 lbs.	With depth measuring bar (blade)
	<b>500-163*</b>	.0005"/0.01mm	±.0010"	.42 lbs.	With depth measuring bar (blade)
	<b>500-164**</b>	.0005"/0.01mm	±.0010"	.42 lbs.	With depth measuring bar (blade)
0 - 12" (0 - 300mm)	<b>500-193</b>	.0005"/0.01mm	±.0015"	.77 lbs.	With depth measuring bar (blade)
	<b>500-165*</b>	.0005"/0.01mm	±.0015"	.77 lbs.	With depth measuring bar (blade)
	<b>500-166**</b>	.0005"/0.01mm	±.0015"	.77 lbs.	With depth measuring bar (blade)

\*Provided with carbide-tipped jaws for OD measurement.  
 \*\*Provided with carbide-tipped jaws for OD & ID measurements.

Excluding quantizing error