

# Vernier Height Gage

## SERIES 514 — Standard Height Gage with Adjustable Main Scale

### FEATURES

- Zero reference point can be adjusted.
- Stain chrome finished scales for glare-free reading.
- Extra-large base for rigidity.
- Optional magnifier for easier reading
- Carbide-tipped scriber is provided.



### SPECIFICATIONS

#### Metric

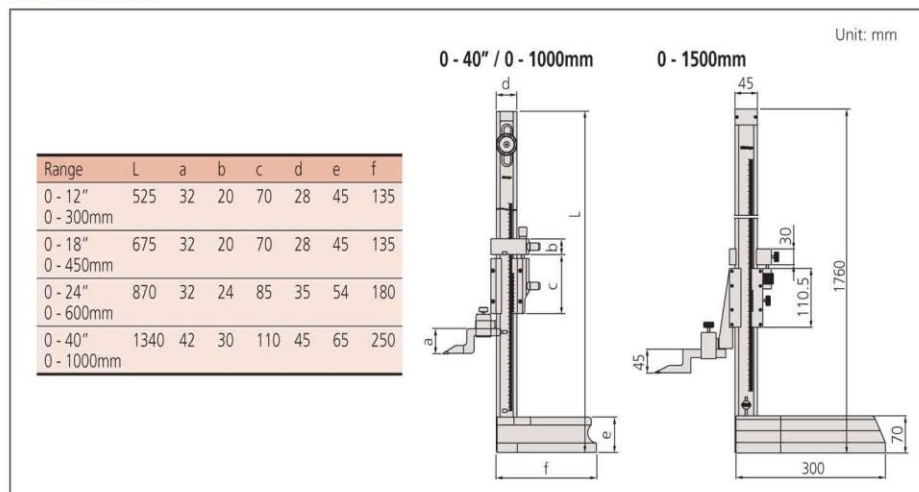
| Range      | Order No.      | Accuracy | Graduation | Mass (kg) |
|------------|----------------|----------|------------|-----------|
| 0 - 300mm  | <b>514-102</b> | ±0.04mm  | 0.02mm     | 3.1       |
| 0 - 450mm  | <b>514-104</b> | ±0.05mm  | 0.02mm     | 3.4       |
| 0 - 600mm  | <b>514-106</b> | ±0.05mm  | 0.02mm     | 7.4       |
| 0 - 1000mm | <b>514-108</b> | ±0.07mm  | 0.02mm     | 20.0      |
| 0 - 1500mm | <b>514-170</b> | ±0.18mm  | 0.02mm     | 26.0      |

#### Inch/Metric

Inch model with inch/metric dual scale

| Range                | Order No.      | Accuracy | Graduation     | Mass (kg) |
|----------------------|----------------|----------|----------------|-----------|
| 0 - 12" / 0 - 300mm  | <b>514-103</b> | ±.002"   | .001" / 0.02mm | 3.1       |
| 0 - 18" / 0 - 450mm  | <b>514-105</b> | ±.002"   | .001" / 0.02mm | 3.4       |
| 0 - 24" / 0 - 600mm  | <b>514-107</b> | ±.002"   | .001" / 0.02mm | 7.4       |
| 0 - 40" / 0 - 1000mm | <b>514-109</b> | ±.003"   | .001" / 0.02mm | 20.0      |

### DIMENSIONS



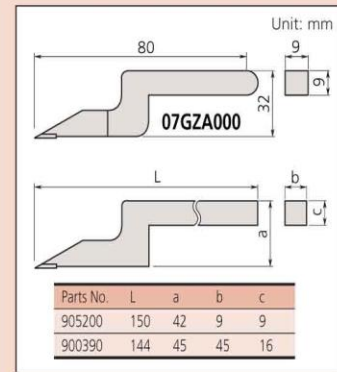
### Technical Data

Main scale adjustment: 15mm or 25mm  
Slider fine feed: 4mm, 6mm, 7mm or 20mm

### Standard Scriber Provided

- Up to 600mm: Carbide-tipped scriber (**07GZA000**) and scriber clamp (**05GZA033**)
- 0 - 1000mm: Carbide-tipped scriber (**905200**) and scriber clamp (**05GZA033**)
- 0 - 1500mm: Carbide-tipped scriber (**900390**) and scriber clamp (**905008**)

### Dimension of scriber



### Optional Accessories

- 07GZA003:** Magnifier for 300, 450mm, 600mm models
- 07GZA015:** Magnifier for 1000mm and 1500mm models
- 953638:** Holding bar for test indicator (length: 50mm)
- 902053:** Swivel clamp used with holding bar

