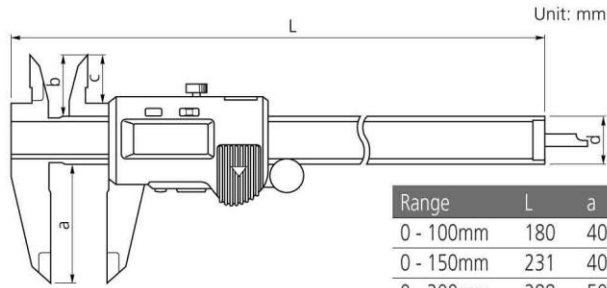
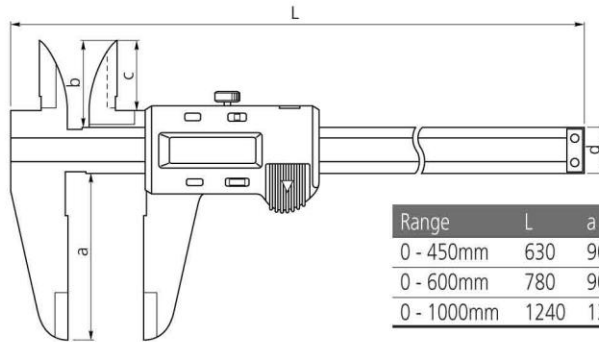


Dimensions



Range	L	a	b	c	d
0 - 100mm	180	40	21	16.5	16
0 - 150mm	231	40	21	16.5	16
0 - 200mm	288	50	24.5	20	16
0 - 300mm	403	64	27.5	22	20



Range	L	a	b	c	d
0 - 450mm	630	90	47	38	25
0 - 600mm	780	90	47	38	25
0 - 1000mm	1240	130	61	50	32

SPECIFICATIONS

Metric

Range	Order No.	Resolution	Accuracy	Mass	Remarks
0 - 100mm	500-150	0.01mm	±0.02mm	137g	With depth measuring rod (ø1.9mm)
0 - 150mm	500-151	0.01mm	±0.02mm	162g	With depth measuring bar (blade)
	500-154*	0.01mm	±0.02mm	162g	With depth measuring bar (blade)
	500-155**	0.01mm	±0.02mm	162g	With depth measuring bar (blade)
	500-158	0.01mm	±0.02mm	162g	With depth measuring rod (ø1.9mm)
	500-152	0.01mm	±0.02mm	192g	With depth measuring bar (blade)
0 - 200mm	500-156*	0.01mm	±0.02mm	192g	With depth measuring bar (blade)
	500-157**	0.01mm	±0.02mm	192g	With depth measuring bar (blade)
	500-153	0.01mm	±0.03mm	350g	With depth measuring bar (blade)
0 - 450mm	500-500-10	0.01mm	±0.05mm	1170g	—
0 - 600mm	500-501-10	0.01mm	±0.05mm	1350g	—
0 - 1000mm	500-502-10	0.01mm	±0.07mm	3300g	—

*Provided with carbide-tipped jaws for OD measurement.

**Provided with carbide-tipped jaws for OD & ID measurements.

Excluding quantizing error

Inch/Metric

Range	Order No.	Resolution	Accuracy	Mass	Remarks
0 - 4" (0 - 100mm)	500-170	.0005"/0.01mm	±.0010"	.30 lbs.	With depth measuring rod (ø3/40")
0 - 6" (0 - 150mm)	500-171	.0005"/0.01mm	±.0010"	.36 lbs.	With depth measuring bar (blade)
	500-174*	.0005"/0.01mm	±.0010"	.36 lbs.	With depth measuring bar (blade)
	500-155**	.0005"/0.01mm	±.0010"	.36 lbs.	With depth measuring bar (blade)
	500-178	.0005"/0.01mm	±.0010"	.36 lbs.	With depth measuring rod (ø3/40")
	500-172	.0005"/0.01mm	±.0010"	.42 lbs.	With depth measuring bar (blade)
0 - 8" (0 - 200mm)	500-176*	.0005"/0.01mm	±.0010"	.42 lbs.	With depth measuring bar (blade)
	500-177**	.0005"/0.01mm	±.0010"	.42 lbs.	With depth measuring bar (blade)
	500-173	.0005"/0.01mm	±.0015"	.77 lbs.	With depth measuring bar (blade)
0 - 12" (0 - 300mm)	500-167*	.0005"/0.01mm	±.0015"	.77 lbs.	With depth measuring bar (blade)
	500-168**	.0005"/0.01mm	±.0015"	.77 lbs.	With depth measuring bar (blade)
	500-505-10	.0005"/0.01mm	±.0020"	2.57 lbs.	—
0 - 24" (0 - 600mm)	500-506-10	.0005"/0.01mm	±.0020"	2.97 lbs.	—
0 - 40" (0 - 1000mm)	500-507-10	.0005"/0.01mm	±.0030"	7.26 lbs.	—

*Provided with carbide-tipped jaws for OD measurement.

**Provided with carbide-tipped jaws for OD & ID measurements.

Excluding quantizing error

