

Bore Gages

SERIES 511 — for Small Holes

FEATURES

- Its interchangeable anvils are made of alloyed steel.
- The dial indicator is fully protected by a rugged cover.

SPECIFICATIONS

Metric Gage Stem \varnothing 8mm

Measuring Range	Order No. Without Dial Gage	Order No. With 2046SB Graduation 0.01mm	Order No. With 2109SB-10 Graduation 0.001mm	Number of Anvils	Number of Spacers
6 - 10mm	511-209*	511-211	511-210	9	1
10 - 18.5mm	511-201*	511-204	511-203	9	1

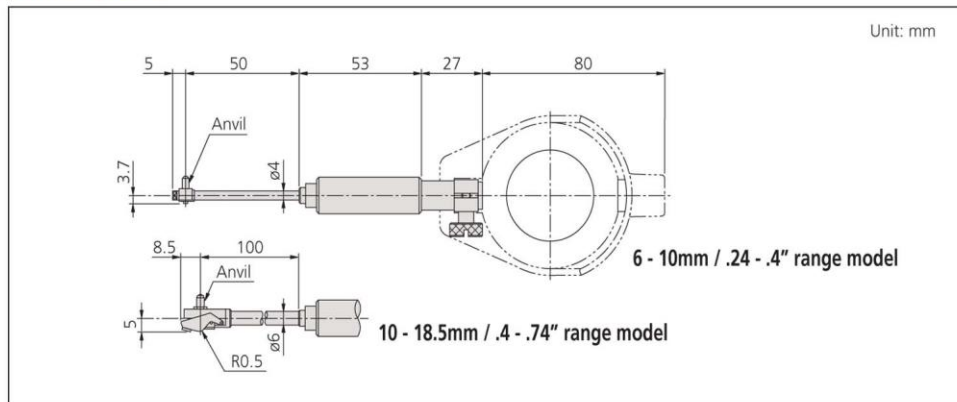
*Does not come supplied with Dial Gage Protector Cover (21DZA000)

Inch Gage Stem Dia .375"

Measuring Range	Order No. Without Dial Gage	Order No. With 2922SB Graduation .0005"	Order No. With 2923SB-10 Graduation .0001"	Number of Anvils	Number of Spacers
.24 - .4"	511-214*	511-213	511-212	9	1
.4 - .74"	511-205*	511-207	511-206	9	1

*Does not come supplied with Dial Gage Protector Cover (21DZA000)

DIMENSIONS

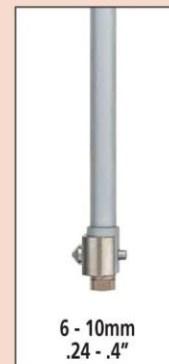


511-204

Technical Data

Accuracy: $5\mu\text{m}$ / .0002"
 Indication stability: $2\mu\text{m}$ / .00008"
 Graduation: 0.01mm, 0.001mm, .0005" or .0001"

Measuring Heads



Optional Accessories

21DZA000: Dial Gage Protector Cover
 -----: Setting ring (See page C-30.)